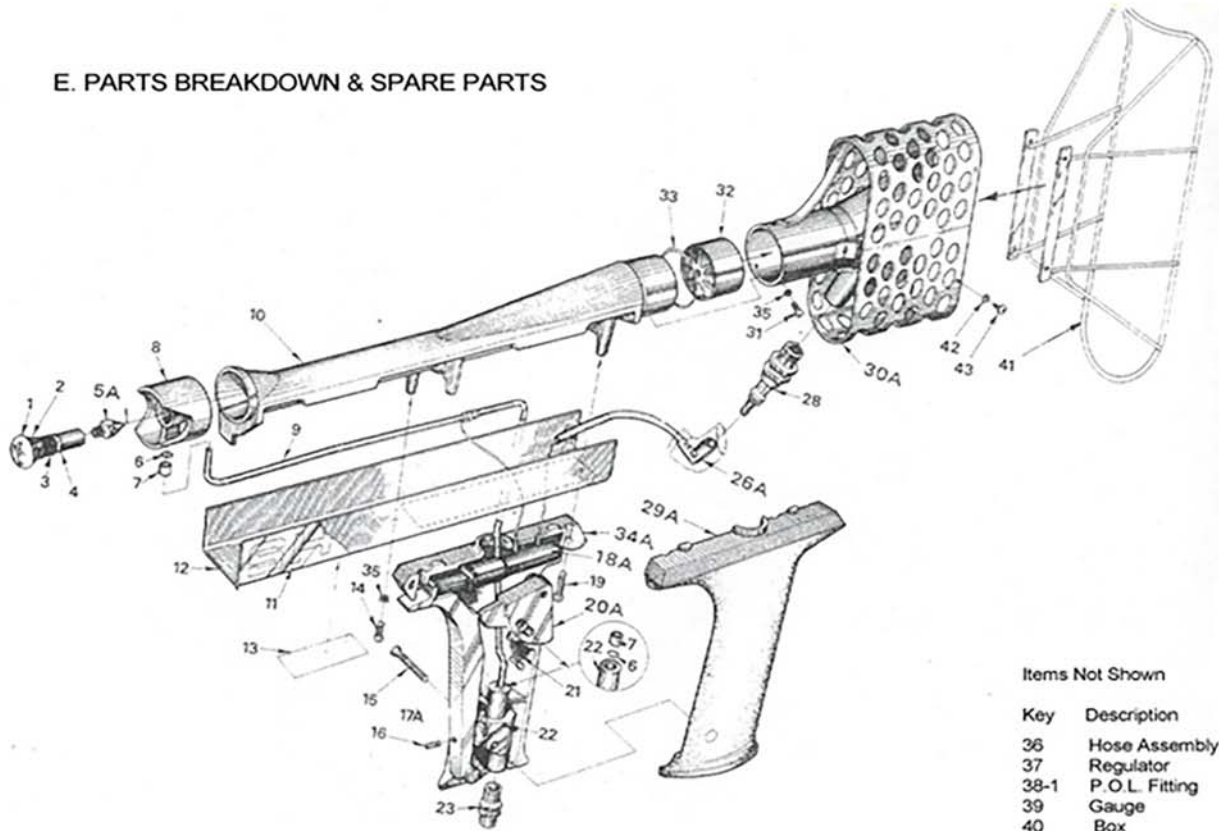


SHRINKFAST Model 975 Parts List

E. PARTS BREAKDOWN & SPARE PARTS



Items Not Shown

Key	Description
36	Hose Assembly
37	Regulator
38-1	P.O.L. Fitting
39	Gauge
40	Box

Key	Description	Key	Description
1	Orifice Holder	21	Spring
2*	"O" Ring	22*	Valve Assem.
3*	Filter	23	Hose Adapter
4*	"O" Ring	26A	UL Boot & Connector
5A	Orifice	28	Spark Plug
6*	"O" Ring	29A	Handle - R.S.
7	Retainer	30A	Combustor 2
8	Inlet	31	Rd. Hd. Phil. Scr.
9	Fuel Line	32*	Flame Holder
10	Body	33*	"O" Ring
11	Label	34A	Handle - L.S.
12	Channel	35	Lock Washer
13	Serial No. Label	36	Hose Assembly
14	Rd. Hd. Phil Scr.	37	Regulator
15	Flat Hd. Phil Scr.	38-1	P.O.L. Fitting
16	Slot Set Scr.	39	Gauge
17A	Trigger	40	Box
18A	Igniter	41	UL Guard
19	Rd. Hd. Phil. Hd. Scr.	42	Washer
20	Safety	43	Screw

* Suggested Spare Parts